

stagecraft
Pty Ltd

ENTERTAINMENT
ENGINEERING

Pile winding Winch

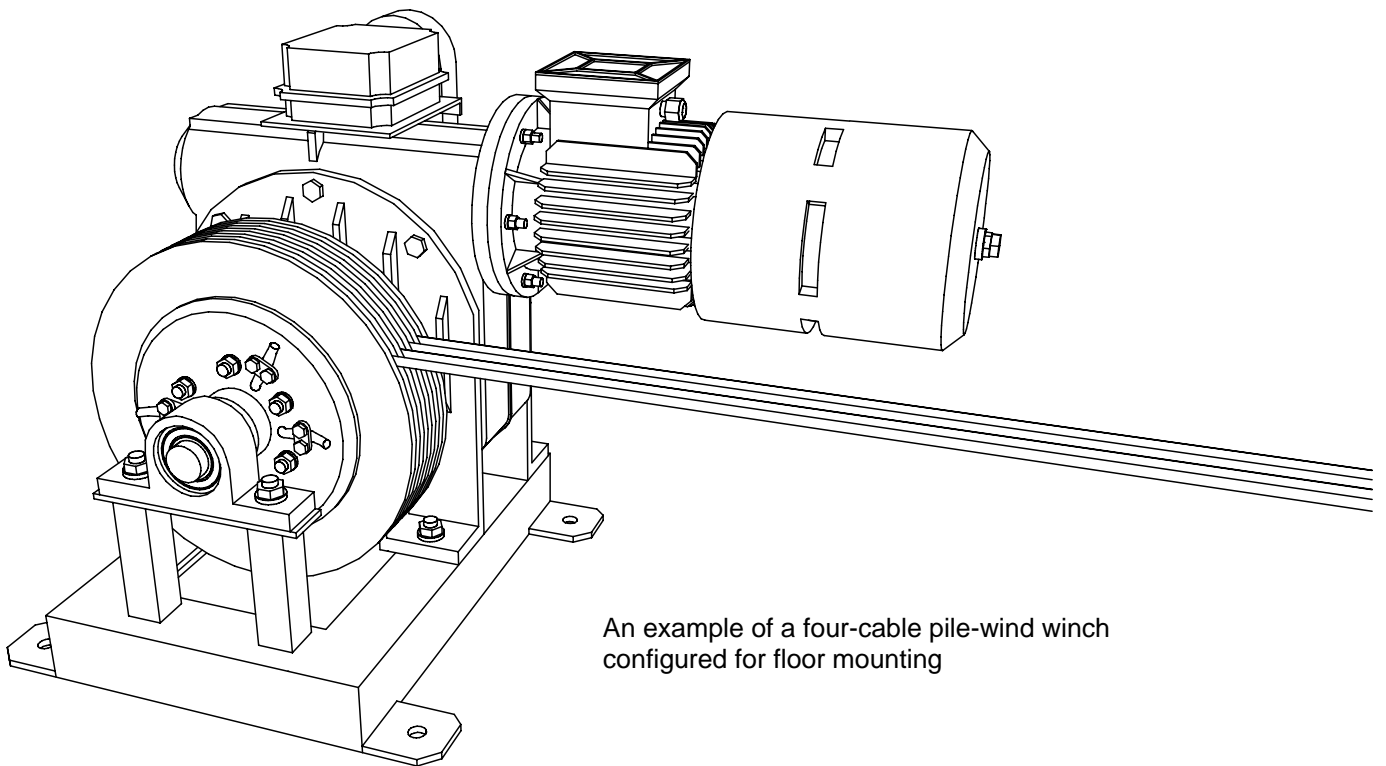
PRODUCT SPECIFICATIONS

DESCRIPTION

STAGECRAFT Pile winding Winches are designed to provide powered lifting mechanism for lighting bars and other tasks in theatres and studios where inexpensive single-speed hoisting of up to 12 metres is required.

FEATURES

- Engineered to a high standard
- Upper and lower limit automatic stop mechanism - standard.
- Self-sustaining gearbox
- Brake motor
- Many mounting options available
- Multi-cable drums configured to each projects requirement



An example of a four-cable pile-wind winch configured for floor mounting

SC/KR 019 -4/06

STAGECRAFT PTY LTD, ABN 11 009 040 144
11 INVERNESS STREET, MALAGA, WESTERN AUSTRALIA 6090
PHONE +61 8 9249 2700 FAX +61 8 9249 2709
www.stagecraft.com.au

All specifications may be changed without prior notice. While due diligence is used in compiling the data herein, Stagecraft Pty Ltd does not accept liability for losses ensuing from any errors or omissions.