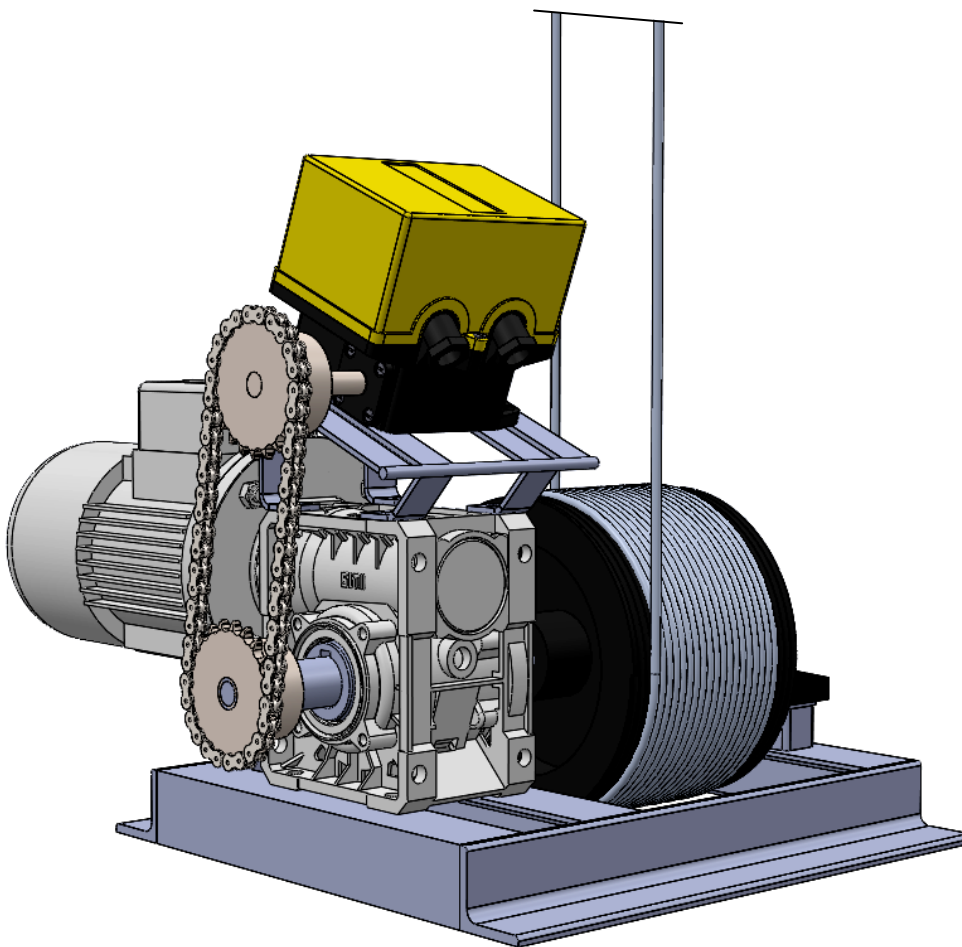




PRODUCT SHEET

Features

- Suitable for applications where the curtain track is fixed (not on a flying batten).
- The Stagecraft Helical Drum Curtain Winch may be installed in a number of positions — ceiling, wall, floor - depending on project needs.
- All components can be sized to suite a wide range of curtain weight and extent of travel.
- Will operate both bi-parting or single action curtains.
- Will operate in conjunction with most available track types including all Stagecraft track types.
- All winch units are configured to the specific needs of each order
- Single phase only supply is required to power units ranging from 0.38kw to 1.5kw.
- Soft start and stop and variable speed and open/close travel limits are standard on all models.



Typical Helical Groove Winch