



**PRODUCT SHEET**

**DESCRIPTION**

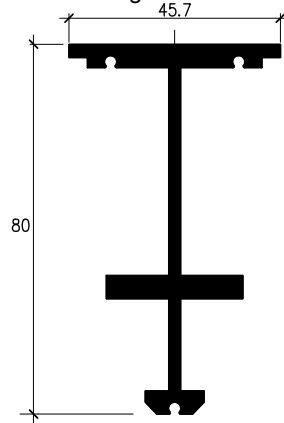
The STAGECRAFT 200 Series Studio Track System is ideal for studio and theatre applications where robust, smooth running tracking is required.

The system may be operated via:

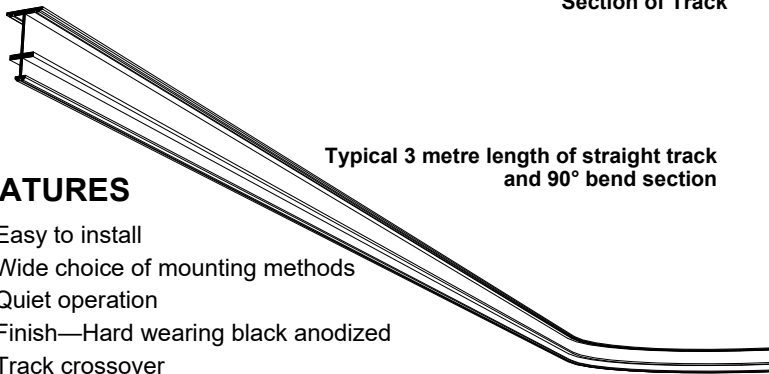
- Walk-along,
- Manual hauling line
- Motor driven

The Studio Track System may be configured as:

- Single track,
- Continuous Loop
- Dual track
- Overlapping, or
- In a variety of custom layouts



Section of Track

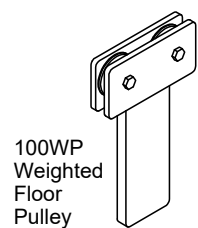
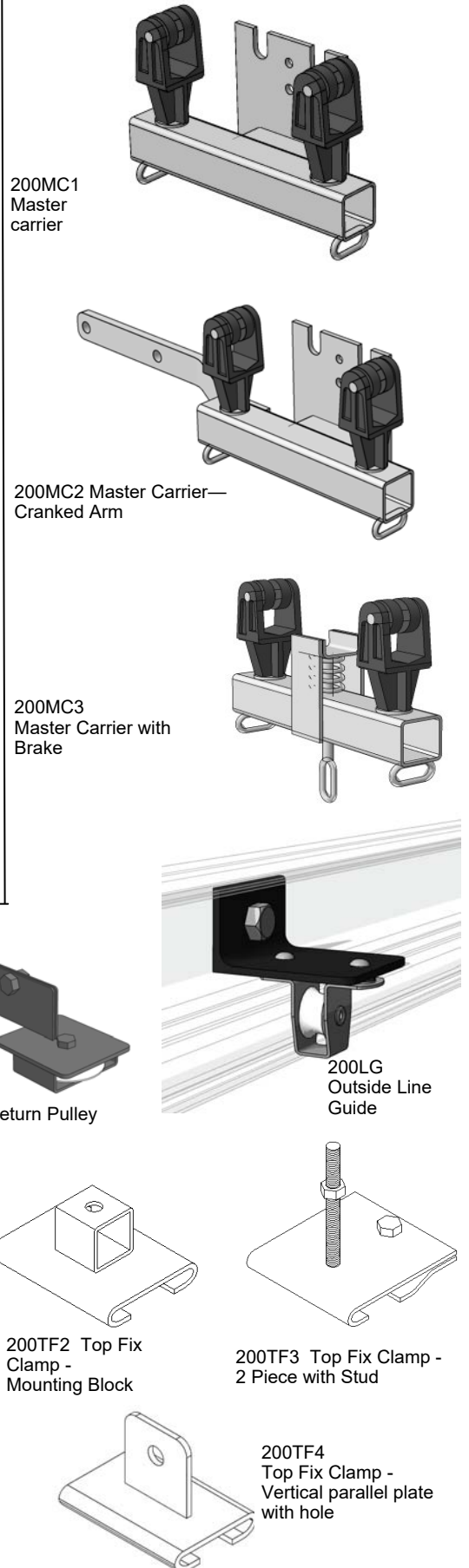


Typical 3 metre length of straight track and 90° bend section

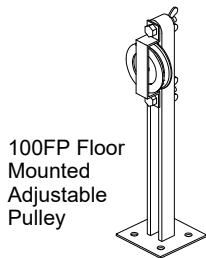
**FEATURES**

- Easy to install
- Wide choice of mounting methods
- Quiet operation
- Finish—Hard wearing black anodized
- Track crossover
- 90° corners standard, other angles available to order
- Corners from 400 mm radius
- Standard track lengths 6 metres, other lengths to order
- Special mounting and custom layouts available.

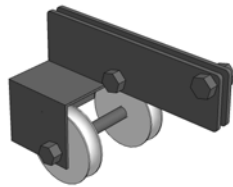
**Selected Components & Accessories**



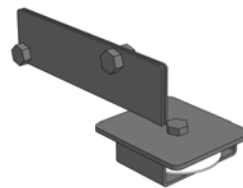
100WP Weighted Floor Pulley



100FP Floor Mounted Adjustable Pulley



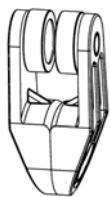
200HP Head Pulley



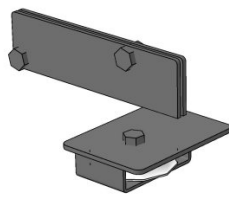
200RP Return Pulley



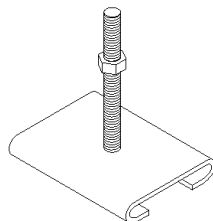
200LG Outside Line Guide



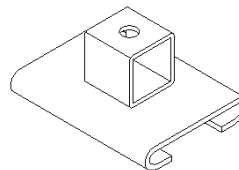
200SC Single Carrier



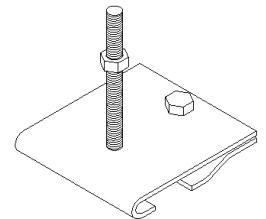
200RP2 Return Pulley—Overlapped Track



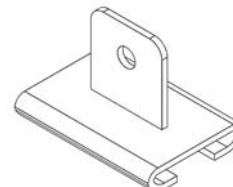
200TF1 Top Fix Clamp 8 mm Stud



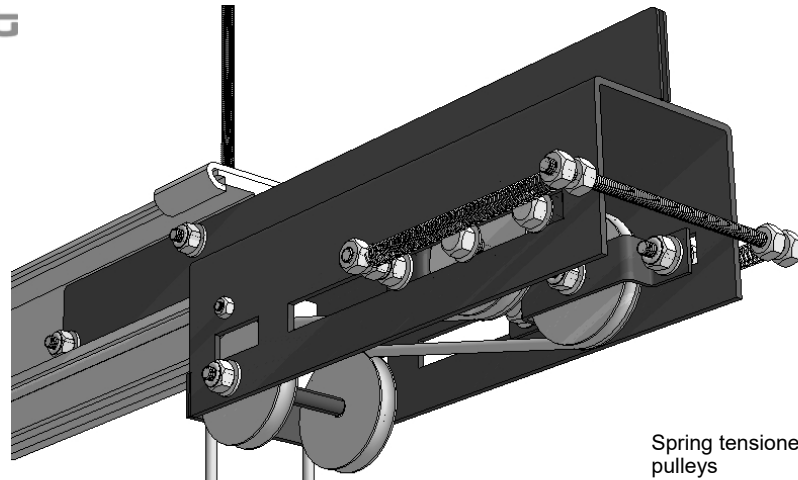
200TF2 Top Fix Clamp - Mounting Block



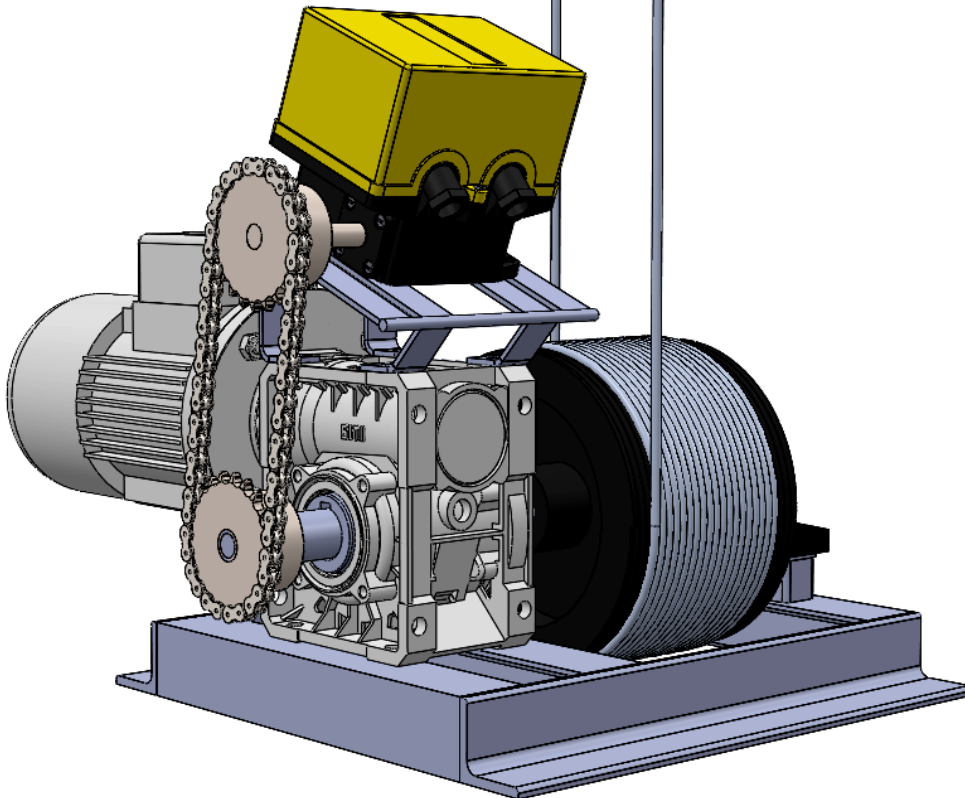
200TF3 Top Fix Clamp - 2 Piece with Stud



200TF4 Top Fix Clamp - Vertical parallel plate with hole



Spring tensioned head pulleys



Helical groove drum;  
100MD55 Three Phase  
.55kw Motor Drive;  
Open/Close limits;  
Variable speed.

## Architectural Specification

The tracking system shall be a black anodized extruded aluminum STAGECRAFT Series 200 Studio Track System, providing a silent and smooth operation.

It shall be capable of top mounting anywhere along its length. Individual runners shall be bearing loaded, nylon wheeled type and spaced at nominal 250 mm centres. Runners shall be rated at 30kg each maximum. It shall be possible to remove or replace any runner anywhere along the track.

The track shall be capable of supporting a load of not less than 50kg evenly spaced across a span of 2.2 metres.

Maximum deflection from a point load of 50kg shall be 4mm.

**Front and back views of correct hauling line path for single track with overlapping (cranked arm) master carriers**

