

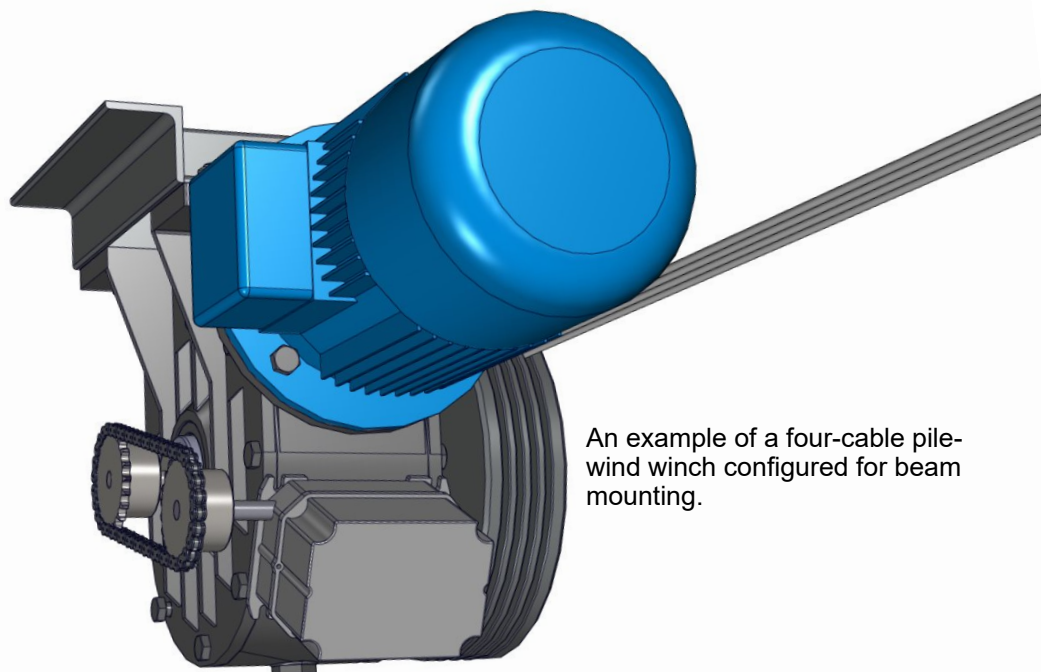
PRODUCT SHEET

DESCRIPTION

STAGECRAFT Pile winding Winches are designed to provide powered lifting mechanism for lighting bars and other tasks in theatres and studios where inexpensive single-speed hoisting of up to 12 metres is required.

FEATURES

- Engineered to a high standard
- Upper and lower limit automatic stop mechanism - standard.
- Self-sustaining Italian SITI MU110 gearbox
- Brake motor
- Many mounting options available
- Multi-cable drums configured to each project's requirement
- A range of safe working load models available



An example of a four-cable pile-wind winch configured for beam mounting.

COMPLIANCE

- The Motor Control complies with AUS/NZ 34391.2002
- The Hoist Complies with AUS/NZ 1418.2-1997-Class M3